

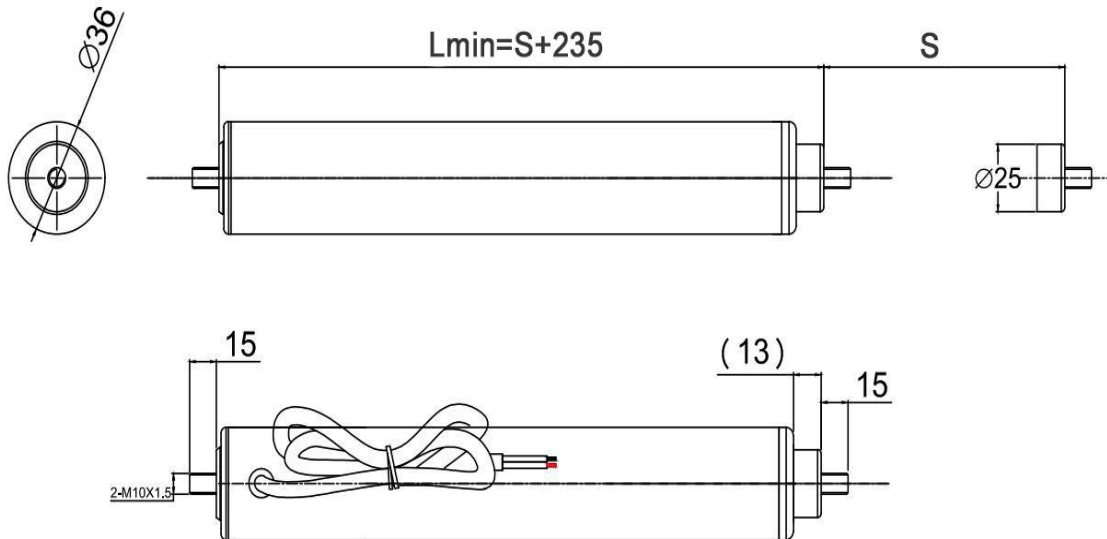
# 36mm

## 1.0 Feature

1. 12VDC
2.  $\varnothing 36$ mm Diameter
3. Max load 1500N
4. Max stroke: 600mm
5. Minimum Installation Dimension:  $L_{min} = S + 235$  ( $20 \leq S \leq 300$ )
6. Built-in Limit switch
7. M10\*1.5 male thread at both ends
8. Noise:  $\leq 58$ db
9. IP65
10. Stroke Sizes : 100, 200, 300, 400, 500, 600



## 2.0 Dimension



## 3.0 Specification

Code	Rated Load (N)	Speed (mm/s) $\pm 10\%$		Current (A)	
				12V	
		No load	Full load	No load	Full load
A	1500	4.8	3.6	0.3	1.2